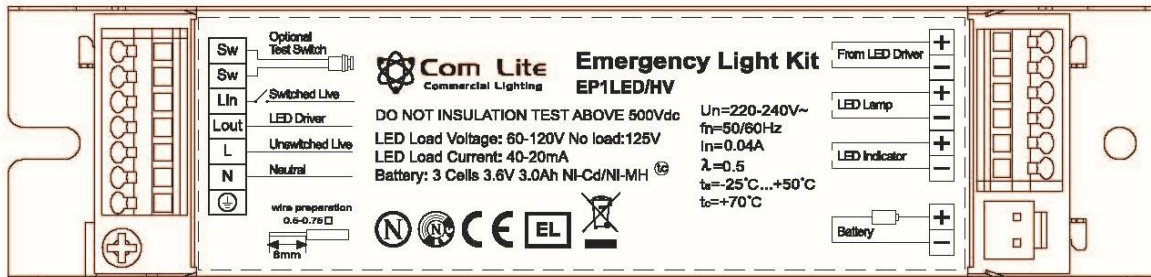
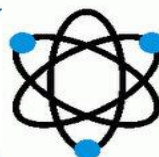


Emergency Lighting – EP1LED/HV

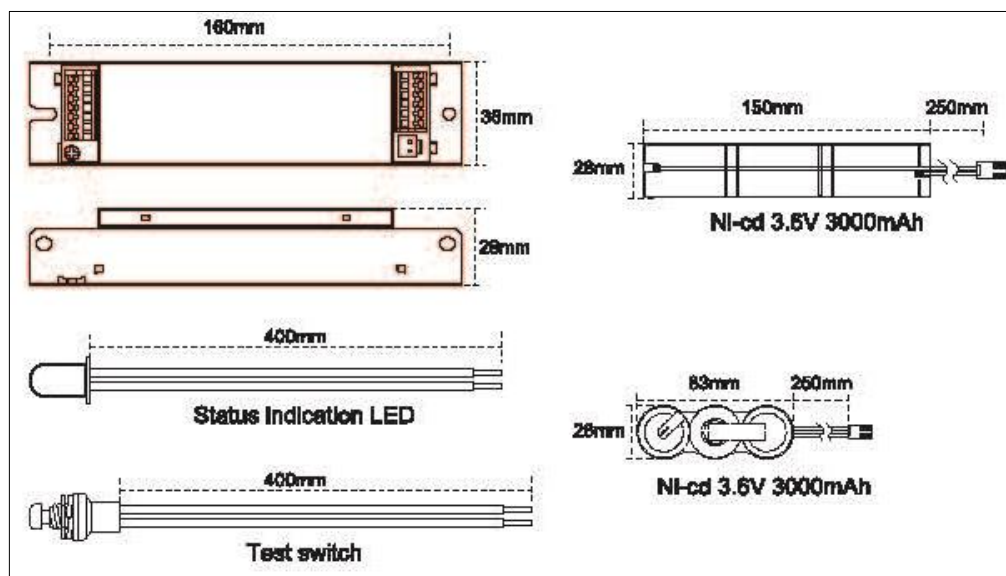
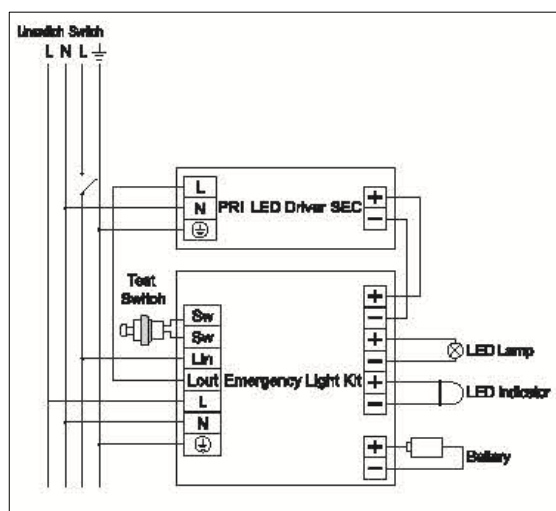


- Intelligent automatic recharging function
- Automatic output current adjustment
- Constant current mode
- Wide range LED voltage 60-120V
- 3 hour emergency operation
- LED charge status display
- Deep discharge protection
- Test switch with self-test function
- Built-In compact design
- Suitable for LED luminaire with external driver
- 3 year warranty as standard where correct installation has been completed
- Complies with EN60598-1-1



Product Code	Description
EP1LED/HV	3 hour maintained emergency pack for use with high voltage LED products

Technical Data	EP1LED/HV
Rated supply voltage	220-240V~
Frequency	50/60Hz
Input current	40mA
Input power	4W
Power factor	0.5
Charge current	200mA
Recharge hours	20h
EM LED current LED	40-20mA
EM LED voltage	60-120V
EM LED power LED	2.4W
Ambient temperature t_a	-25...+50°C
Max. casing temperature t_c	70°C
Battery type	Ni-Cd 3.6V 3.0Ah
Dimensions LxWxD	160x38x28mm
Fixing centre D	150mm



Com Lite
Commercial Lighting

Com Lite is a brand name of



Tegral
Quality Lighting

www.tegral-lighting.com