



Description

The LED highbay is specially design for food processing applications. The lamp body is arched perfectly which makes not only asthetic but also dust-proof and easy to clean. At the basis of highly efficient heat dissipation solution, our design concept is "unibody", which lead the way in Bay lights.

Key Features

- With IP69K protection level, you can flush the light frequently
- NSF certificate approved, used in a food processing plant.
- The product have an anti impact grade of IK10.
- The screw are hidden to prevent dust and moisture.
- Easy to Clean
- Covered by high transmittance PC instead of glass, to prevent debris falling to enhance the food safety.

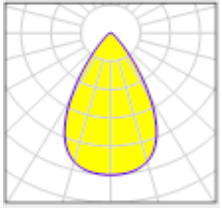
Applications

- Food Processing Plant
- Warehouse
- Factory
- Pharmaceutical Manufacturing Facilities
- Chemical Facilities
- Beverage Processing
- Poultry and Meat Processing
- Pet-food Production
- Grain and Sugar Production

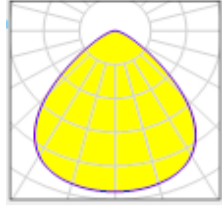
Specifications

Model No.	FS100/4	FS120/4	FS150/4	FS200/4
Power Consumption	100±5W	120±6W	150±7W	200±10W
LED Type	Nichia LED			
Luminous Flux	14000(±5%)lm	16800(±5%)lm	21000(±5%)lm	28000(±5%)lm
Efficacy	140(±5%)lm/W(5000K Ra70)			
Correlated Color Temperature	5000K (3000K, 4000K optional)			
Color Rendering Index	Ra70 (Ra80 optional)			
Beam Angle	H00A02,H00B03 ,H00B04, H25201, H25202, H25203			
Power Supply	MEAN WELL			
Input Voltage	100-240 VAC / 100-277 VAC			
Power Factor	>0.92			
Frequency	50 / 60 Hz			
Surge Protection	2kV line-line, 4kV line-earth			
Driver Type	Constant Current (CC)			
Product Dimension	φ489×200mm (φ19.25" x 7.87")			
Luminaire Net Weight	7.2±0.3kg(15.87±0.66Lbs)			
Export Carton Size	560x260x565mm(22.05"×10.24"×22.24")			
Gross Weight	9.3±0.3kg(20.4±0.66Lbs)			
Material	Housing	Aluminum Alloy		
	Optics	Polycarbonate Optical Lens		
Finish	Powder Coating			
Fixture Color	Grey			
IP Rating	IP66			
Mounting Option	Loop Hanging			
Operating Temperature	-30°C to + 50°C(-22°F to 122°F)			
Life Time	>50,000Hrs (Ta=30°C@L70)			
Warranty	5 Years			
Dimmable	Dimmable and Non-dimmable			
Intelligent Control	DALI Control /Microwave Sensor			
	Zigbee Wireless Control			
Accessory	PC Cover - 120° Clear / Milky PC Cover			
	PC Optics Lens - 50°, 90° and 120° PC Lens			
	Bracket - surface mount bracket			
	Safety Chain - 250mm chain, M10 + M10 Hook>340mm			
	Plug - EU/US Standard Plug			

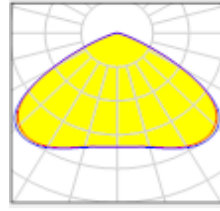
Photometry



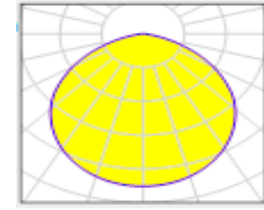
50° PC Lens
(H25203)



90° PC
(H25202)



120° PC Lens
(H25201)



120° Tempered Glass / Clear PC / Milky PC
(H00A02 / H00B03 / H00B04)

Mounting Options

Loop Hanging



surface mounting

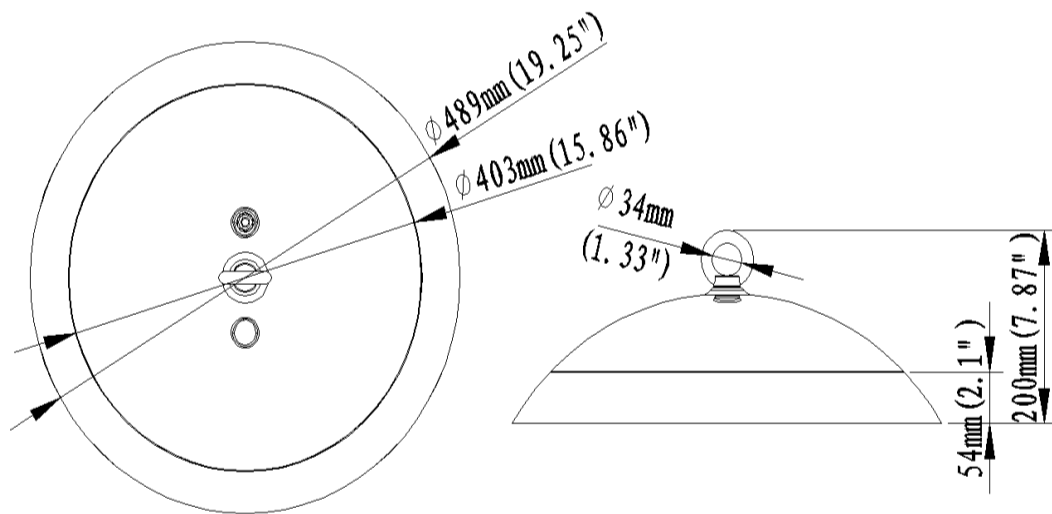


Pipe mounting



Dimensions

100W-200W



Accessories



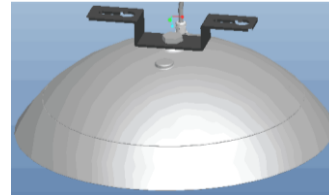
PC Lens



Tempered Glass



Safety Chain



Surface Mount