

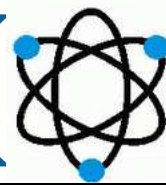
Com Lite V2 - Highbay



Com Lite V2 Highbay – A range of IP65 rated high efficiency, slim profile LED highbays. They are suitable for use in all retail, commercial and warehouse applications.

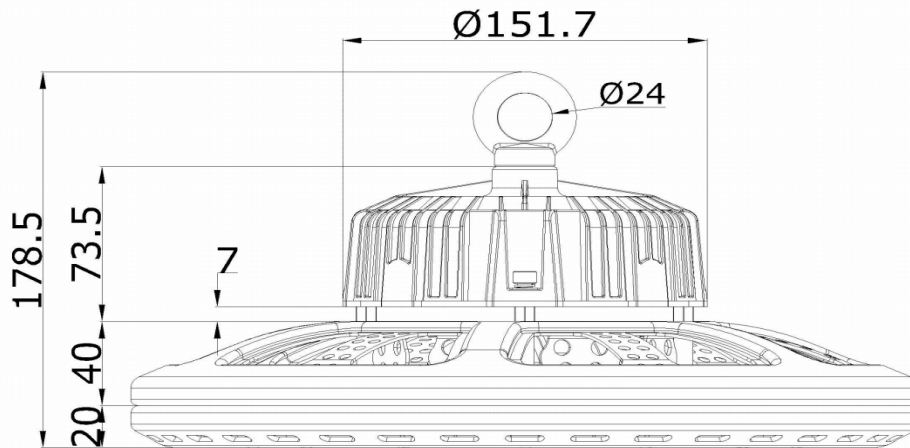
- 5 year warranty as standard
- 4000k, 5000k or 6000k available.
- Beam angle 120°
- High temperature resistant housing.
- Manufactured with Diecast aluminium housing
- Manufactured with Philips 3030 chip for excellent performance
- PF greater than 0.95
- RA80
- Working temp -30 degrees to +50 degrees
- PC cover and suitable for Food Industry.
- Standard model not dimmable but 1-10v or Dali versions available upon request.
- Supplied prewired with flex

TECHNICAL DATA:

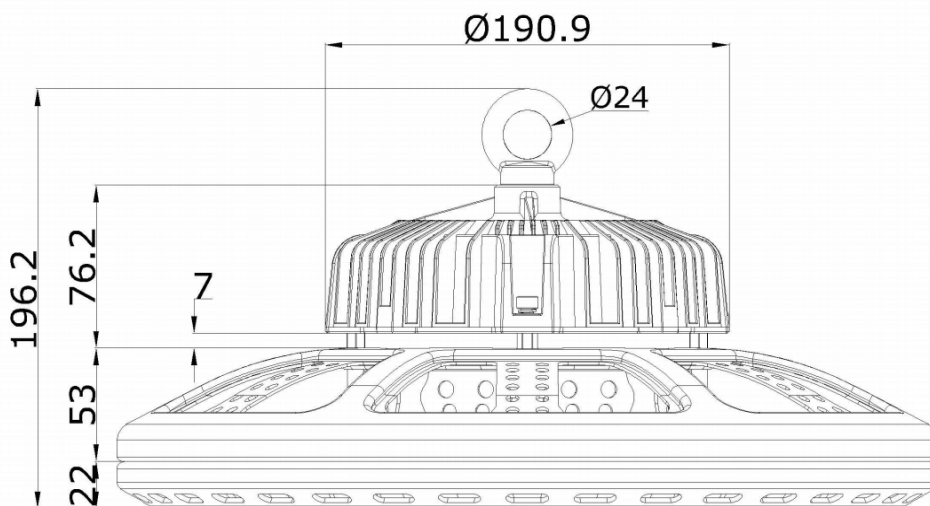


Com Lite
Commercial Lighting

Product Code	Description	Wattage	Lumen Output
HBO150	150w UFO slim highbay 6500k	150w	20000lm
HBO200	200w LED slim highbay 6500k	200w	26000lm



150w version



200w version



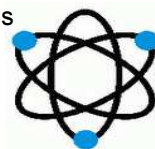
For more information on our Tegral brand of products, please contact us

Tegral Lighting Ltd
Unit 4 Myson Way
Raynham Road Industrial Estate
Bishops Stortford
Herts, CM23 5JZ

E-mail: salesuk@tegral-lighting.com
Tel: +44 (0)1279 461888/908
Fax: +44 (0)1279 460115

Integral Lighting Ltd
Unit 99 Barrow Road
Dublin Ind Est
Glasnevin, Dublin 11

E-mail: sales@tegral-lighting.com
Tel: +353 (01) 8309684/85/86
Fax: +353 (01) 8309932



Com Lite
Commercial Lighting

Com Lite is a brand name of



www.tegral-lighting.com