

TEGRAL 66

A range of high frequency IP66 surface batten luminaires designed to accommodate T5 and T8 lamps. They are suitable for general lighting in carparks, garages and commercial applications.



MATERIALS

- European brand driver
- Polycarbonate or GRP housing and polycarbonate or acrylic covers
- Impact resistance: SAN diffuser IK03, PC diffuser IK08

ACCESSORIES AND OPTIONS AVAILABLE

- Can be fitted with PIR or microwave sensor. Please add /SN or /MS to end of product code
- Dimmable versions available (See dimmable options)
- Emergency versions available. Add M3 for standard 3 hour emergency or ST for self-test 3 hour emergency.

ADDITIONAL INFORMATION

- All Tegral 66 models are supplied with SS Clips as standard
- Ballast class efficiency A2. ENEC ballast
- LED versions of this product are available (See Tegral 66 LED)
- Supplied less lamps, require T5 or T8 fluorescent
- Lumen outputs will vary according to lamp brand and colour temp

DIMMABLE OPTIONS

- /D for 1-10V dimmable
- /DD for DSI digital dimmable
- /DL for DALI and switch dimmable

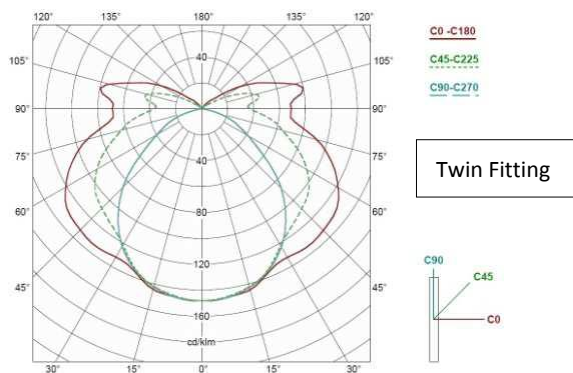
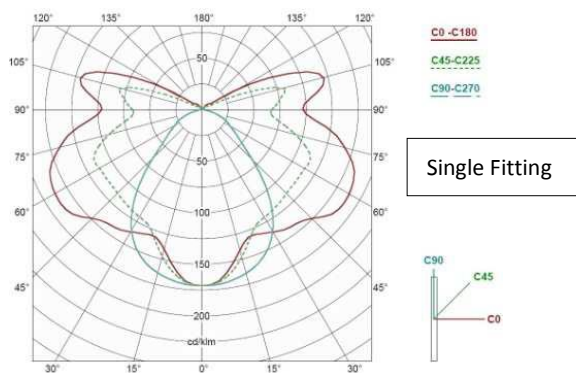
WARRANTY

5 year driver warranty

IP RATING

IP66

Impact resistance
SAN diffuser IK03
PC diffuser IK08



PRODUCT CODE	DESCRIPTION	WATTAGE (W)	DIMENSIONS L x W x H (mm)	LIGHT SOURCE	PRIMARY LUMEN OUTPUT	LUMEN PER CIRCUIT WATT
T118/66	2ft single with PC base and PC diffuser	1x18W	660x101x101	T8	1350lm	> 55
T218/66	2ft twin with PC base and PC diffuser	2x18W	660x145x101	T8	2700lm	> 40
T136/66	4ft single with PC base and PC diffuser	1x36W	1277x101x101	T8	3350lm	> 55
T236/66	4ft twin with PC base and PC diffuser	2x36W	1277x145x101	T8	6700lm	> 50
T158/66	5ft single with PC base and PC diffuser	1x58W	1573x101x101	T8	5200lm	> 55
T258/66	5ft twin with PC base and PC diffuser	2x58W	1573x145x101	T8	10400lm	> 50
T1582/66	5ft single with GRP base and Acrylic diffuser	1x58W	1578x101x101	T8	5200lm	> 55
T2582/66	5ft twin with GRP base and Acrylic diffuser	2x58W	1578x145x101	T8	10400lm	> 50
T114/66	2ft single with PC base and PC diffuser	1x14W	660x101x101	T5	1230lm	> 55
T214/66	2ft twin with PC base and PC diffuser	2x14W	660x145x101	T5	2460lm	> 50
T124/66	2ft single with PC base and PC diffuser	1x24W	660x101x101	T5	1750lm	> 45
T224/66	2ft twin with PC base and PC diffuser	2x24W	660x145x101	T5	3500lm	> 40
T128/66	4ft single with PC base and PC diffuser	1x28W	1277x101x101	T5	2640lm	> 70
T228/66	4ft twin with PC base and PC diffuser	2x28W	1277x145x101	T5	5280lm	> 65
T135/66	5ft single with PC base and PC diffuser	1x35W	1573x101x101	T5	3320lm	> 70
T235/66	5ft twin with PC base and PC diffuser	2x35W	1573x145x101	T5	6640lm	> 65
T149/66	5ft single with PC base and PC diffuser	1x49W	1573x101x101	T5	4450lm	> 65
T249/66	5ft twin with PC base and PC diffuser	2x49W	1573x145x101	T5	8900lm	> 50
T154/66	4ft single with PC base and PC diffuser	1x54W	1277x101x101	T5	4460lm	> 55
T254/66	4ft twin with PC base and PC diffuser	2x54W	1277x145x101	T5	8920lm	> 45
T180/66	5ft single with PC base and PC diffuser	1x80W	1573x101x101	T5	6150lm	> 50
T1352/66	5ft single with GRP base and Acrylic diffuser	1x35W	1578x101x101	T5	3320lm	> 70
T2352/66	5ft twin with GRP base and Acrylic diffuser	2x35W	1578x145x101	T5	6640lm	> 65
T1492/66	5ft single with GRP base and Acrylic diffuser	1x49W	1578x101x101	T5	4450lm	> 65
T2492/66	5ft twin with GRP base and Acrylic diffuser	2x49W	1578x145x101	T5	8900lm	> 50
T1802/66	5ft single with GRP base and Acrylic diffuser	1x80W	1578x101x101	T5	6150lm	> 50

Reference	Dimensions (mm)	
	L	D
1 x 14/18/24 W	660	390
1 x 28/36/54 W	1277	800
1 x 35/49/58/80 W	1573	1100
2 x 14/18/24 W	660	390
2 x 28/36/54 W	1277	800
2 x 35/49/58 W	1573	1100

